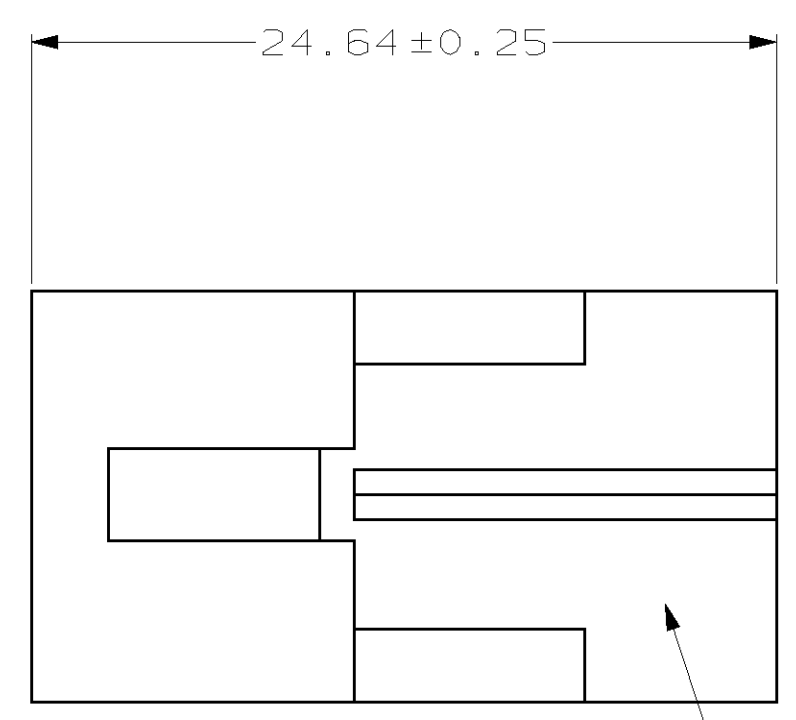
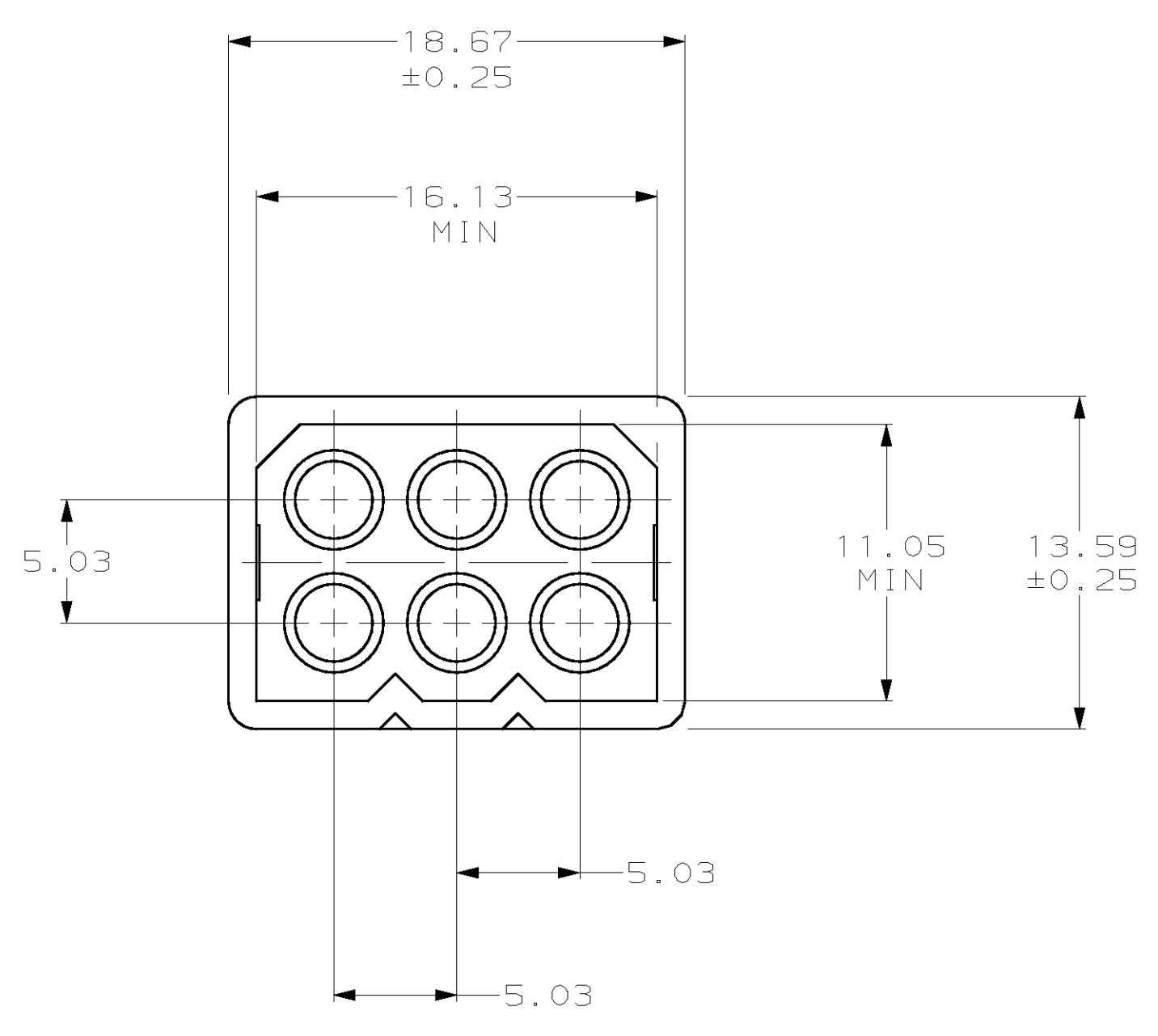
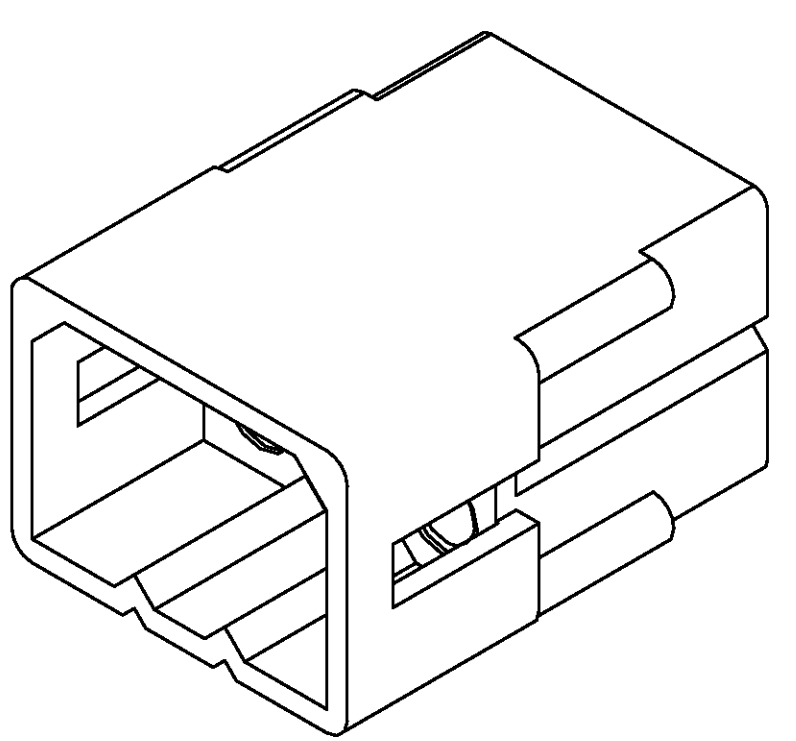
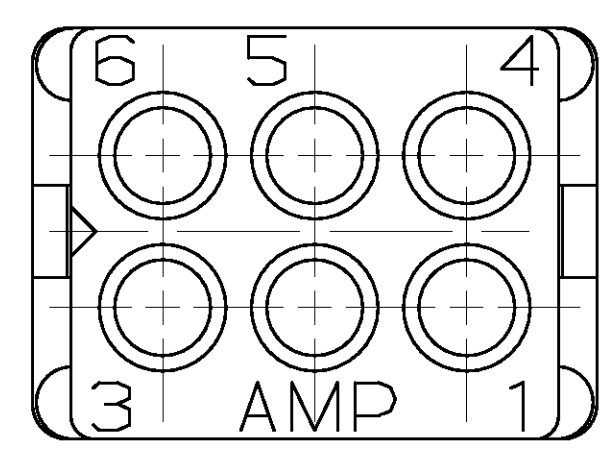


LOC		QTY		REVISIONS			
CM	53	TR	LYR	DESCRIPTION	DATE	OWN	APVD
E				REV AND RDWN PER CM OL30-0119-97	6-03-97	KW	RS

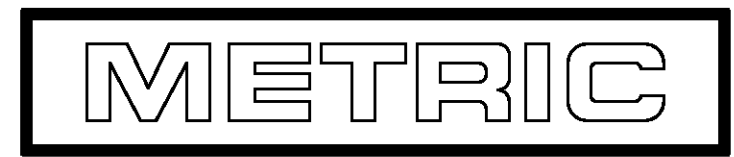
1 MARKING FOR UL LOGO AND CSA LOGO LOCATED APPROXIMATELY AS SHOWN.



1 OPPOSITE SIDE OPTIONAL



3-DIMENSIONAL MODEL NTS



MM	IN
24.64	.970
18.67	.735
16.13	.635
13.59	.535
11.05	.435
5.03	.198
2.36	.093
0.25	.010
0.13	.005
MM	IN

CONVERSION TABLE

770090-1
PART NUMBER

THIS DRAWING IS A CONTROLLED DOCUMENT.		DWN K. WHITAKER	6-03-97	AMP AMP Incorporated Harrisburg, PA 17105-3608
DIMENSIONS: mm		CHK R. SWING	6-03-97	
TOLERANCES UNLESS OTHERWISE SPECIFIED:		APVD C. CASH	6-03-97	NAME PLUG, 6 CIRCUIT, .093 COMMERCIAL PIN AND SOCKET
1 PLC ±-	2 PLC ±-	3 PLC ±-.13	4 PLC ±-	PRODUCT SPEC
MATERIAL NYLON, UL 94V-2, NATURAL		FINISH	HEIGHT	APPLICATION SPEC
ANGLES 40°/30°		SCALE CODE DRAWING NO		RESTRICTED TO
CUSTOMER DRAWING		A1 00779 C-770090		SCALE 4:1 SHEET 1 OF 1 REV F